
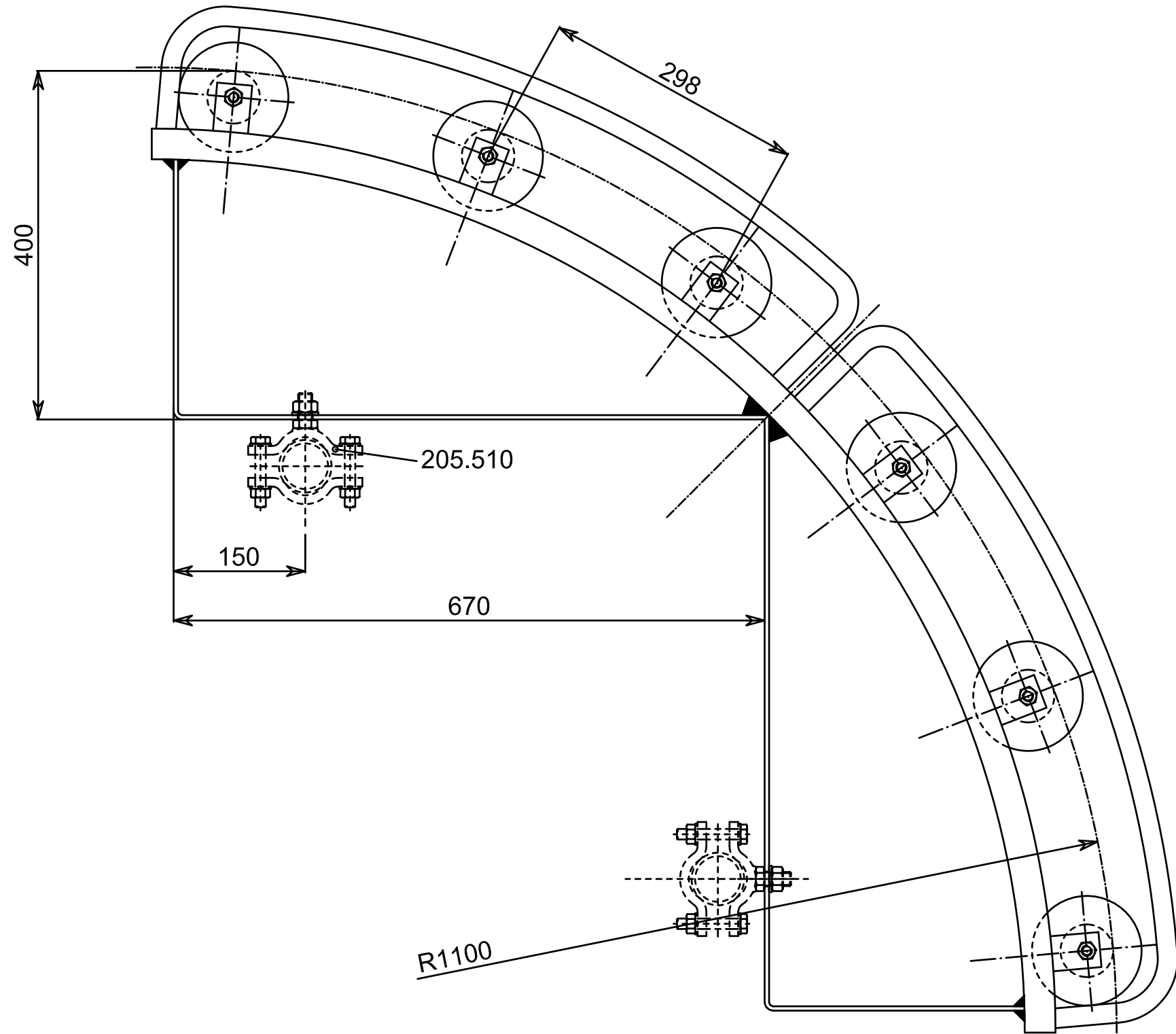
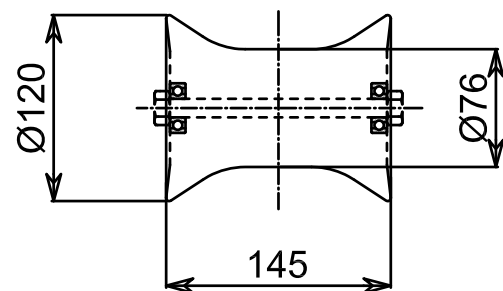
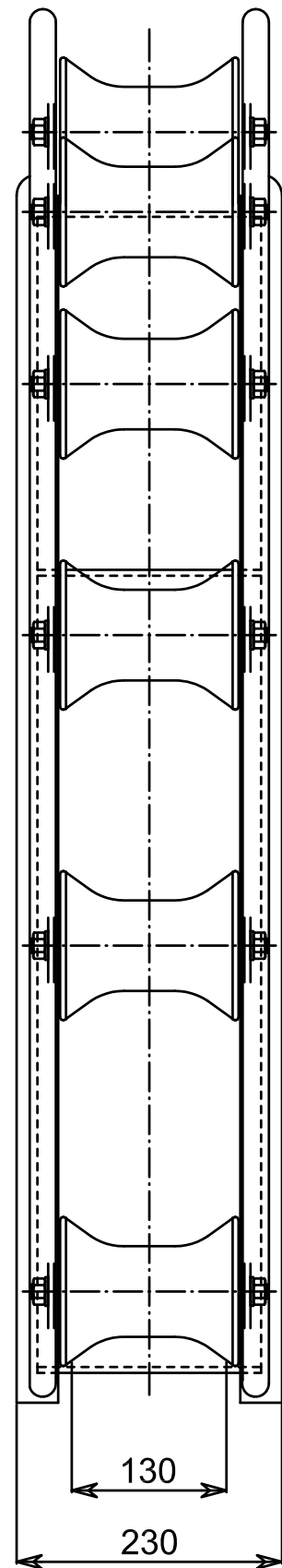

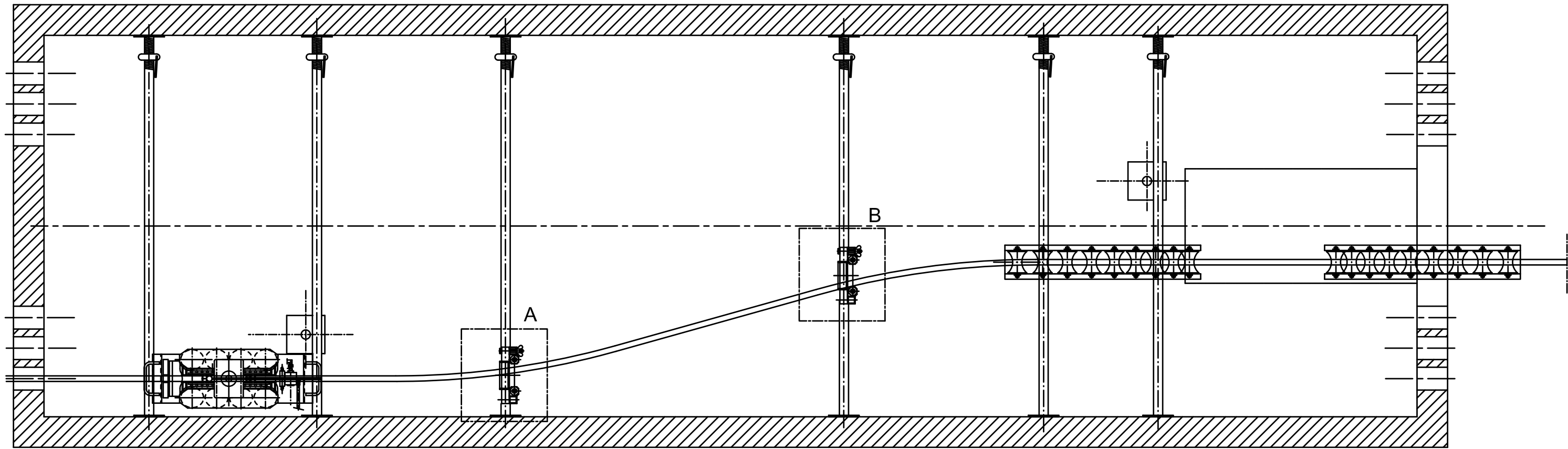


| | |  VETTER GMBH Kabelverlegetechnik D-79807 Lottstetten | | Maßstab 1:5 | | | | | | | | | | | | | |
|--------|------------|--|------|---------------------------------|---------------|------|--------|------------|------------|-------|------------|---------|------|--|--|---|--|
| | | <table border="1"> <thead> <tr> <th></th> <th>Datum</th> <th>Name</th> </tr> </thead> <tbody> <tr> <td>Bearb.</td> <td>10.12.2010</td> <td>M. Milobar</td> </tr> <tr> <td>Gepr.</td> <td>15.12.2010</td> <td>W. Saum</td> </tr> <tr> <td>Norm</td> <td></td> <td></td> </tr> </tbody> </table> | | | Datum | Name | Bearb. | 10.12.2010 | M. Milobar | Gepr. | 15.12.2010 | W. Saum | Norm | | | Kabel-Eckrolle Cable angle roller Galet d'angle Rodillo para angulos | |
| | Datum | Name | | | | | | | | | | | | | | | |
| Bearb. | 10.12.2010 | M. Milobar | | | | | | | | | | | | | | | |
| Gepr. | 15.12.2010 | W. Saum | | | | | | | | | | | | | | | |
| Norm | | | | | | | | | | | | | | | | | |
| | | | | SE 9-60 R 1500 | | | | | | | | | | | | | |
| | | | | 202.796.10 - 3 | | | | | | | | | | | | | |
| Zust. | Änderung | Datum | Name | CAD-A3 | CAD - Milobar | | | | | | | | | | | | |

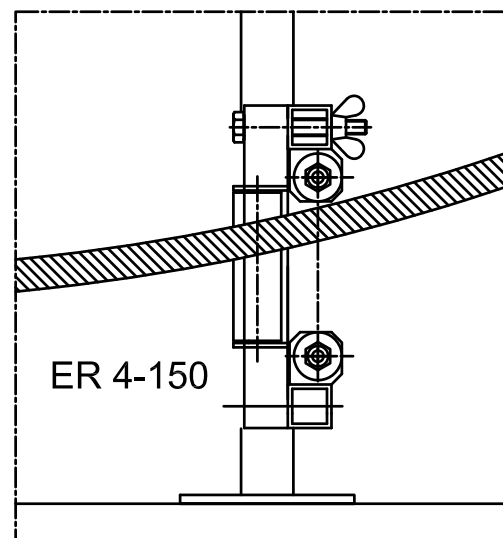
Blatt
Bl.



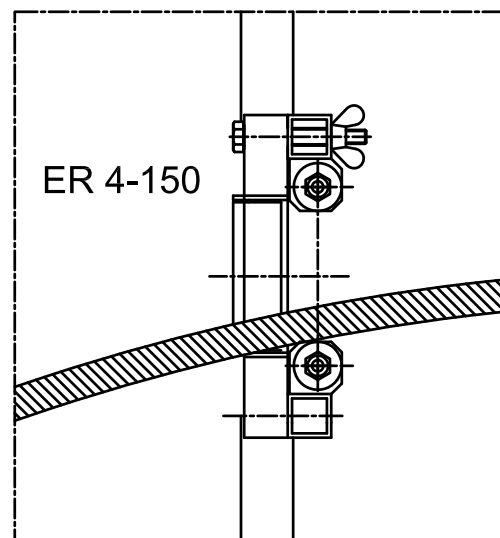
| | | | | | | | |
|-------|------------------|----------|------|--|---------------|---|--|
| | | | |  VETTER GMBH Kabelverlegetechnik D-79807 Lottstetten | | Maßstab 1:6 | |
| | | | | Datum Name Bearb. 28.06.2009 M.Milobar Gepr. 18.10.2010 W. Saum Norm | | Kabel-Eckrolle SE 6-90 S R1100 Cable angle roller SE 6-90 S R1100 Galet d'angle SE 6-90 S R1100 | |
| | | | | | | 202.840.10 - 3 | |
| | | | | | | Blatt | |
| | | | | | | Bl. | |
| 1 | Klemmschelle neu | 17.10.10 | Mil | | | | |
| Zust. | Anderung | Datum | Name | CAD-A3 | CAD - Milobar | | |




Detail "A"



Detail "B"



| | | | | | | | |
|-------|----------|-------|------|--|---------------|---|--|
| | | | |  VETTER GMBH Kabelverlegetechnik D-79807 Lottstetten | | Maßstab (1:25) | |
| | | | | Datum Name Bearb. 11.12.2010 M.Milobar Gepr. 15.12.2010 W. Saum Norm | | Kabel-Schachteinlaufrollen Cable entrance rollers Galets de déviation de câbles Rodillos para pozos y curvas | |
| | | | | | | Blatt 202.751.42 - 3 | |
| Zust. | Änderung | Datum | Name | CAD-A3 | CAD - Milobar | | |